

LEGENDA  
LEGEND

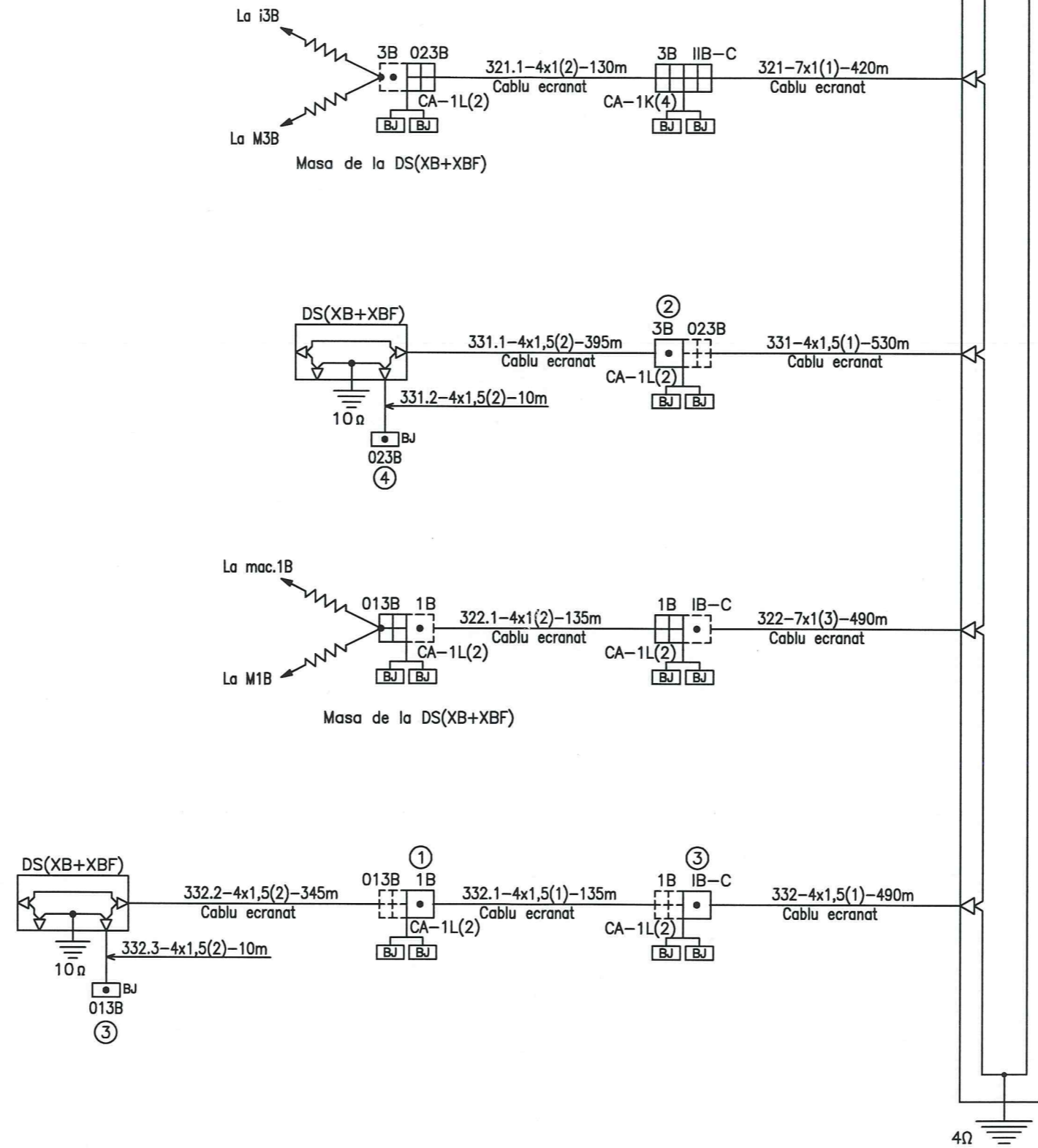
	CUTIE APARATAJ PENTRU CIRCUITELE DE CALE CAP ALIMENTARE TRACK CIRCUIT BOX - SUPPLY END
	CUTIE APARATAJ PENTRU CIRCUITELE DE CALE CAP RELEU TRACK CIRCUIT BOX - RECEIVING END
	BOBINA DE JOANTA IMPEDANCE BOND
	ECHIPAMENTE DESENATE SI IN ALTE PLANURI EQUIPMENTS INCLUDED IN OTHER PLANS
	DISTRIBUITOR DE CABLURI DISTRIBUTOR BOX
	LEGATURA ECHIPOTENTIALA EQUIPOTENTIAL CONNECTION
	POST CENTRALIZARE INTERLOCKING POST
	TERMINAL DE CABLU CABLE TERMINAL
	PRIZA DE PAMANT EARTH PLATE
	SECVENTA CIRCUITULUI DE CALE TRACK CIRCUIT SEQUENCE

	121-24x1(3)-100m Cablul ecranat
	NUMARUL CABLULUI CABLE NUMBER
	NUMARUL DE CONDUCTOARE TOTAL NUMBER OF WIRES
	SECTIUNEA CONDUCTORULUI WIRE CROSS SECTION
	CODUCTOARE DE REZERVA SPARE WIRES
	LUNGIMEA CABLULUI LENGTH OF CABLE
	TIPUL CABLULUI CABLE TYPE

NOTA:  
NOTE:  
CABLURILE CARE NU AU MENTIONAT TIPUL DE CABLU, VOR FI NEECRANATE  
CABLES WHICH HAVE NOT MENTIONED TYPE OF CABLE WILL BE UNSCREENED

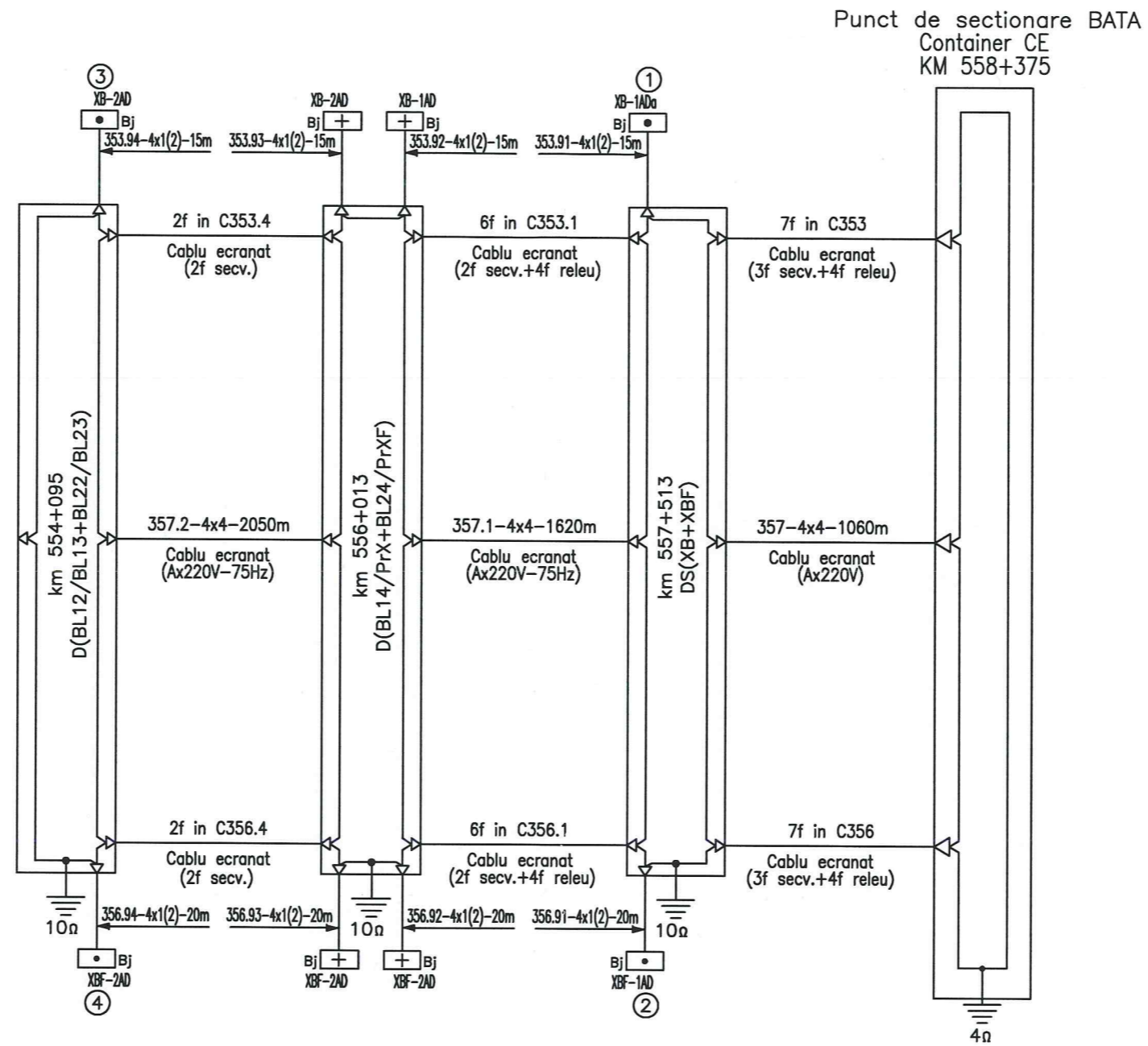
Indice Index	Data Date	Descriere Description	Semnatura Signature	Semnatura Signature	Semnatura Signature	Semnatura Signature
Modificare / Revision	E					
	D					
	C					
	B					
	A					
		<b>MINISTERUL TRANSPORTURILOR</b>				
		<b>COMPANIA NAȚIONALĂ DE CĂI FERATE "CFR" SA</b>		<b>BENEFICIAR / BENEFICIARY :</b>		
<b>PROIECTANT / DESIGNER:</b>				Data / Date	Semnatura Signature	
Aprobat Approved	Sef de echipa Team leader	C. Teodorescu	01.2013			
Verificat Checked	Expert Cheie Key Expert	R. Trommer	01.2013			
Subcontractant / Subcontractor						
Aprobat Approved	Adjunct Sef de echipa Deputy Team leader	A.M. Baicu	01.2013			
Proiectat Designed	Inginer Engineer	O. Petcu	01.2013			
"Reabilitarea liniei c.f. Frontieră - Curtici - Simeria, parte componentă a coridorului IV Pan - European pentru circulația trenurilor cu viteză maximă de 160 km/h" Tronsonul 2-B : cap Y Bârzava - cap Y Ilteu "Rehabilitation of the Railway Line Border - Curtici - Simeria, component Part of the IV Pan - European Corridor for the Trains Circulation with maximum speed of 160 km/h" Section 2-B : end Y Bârzava - end Y Ilteu					<b>Project 9i</b> <b>35311.1</b>	
					Faza / Phase: PTh +CS / TD + TS	
Denumire desen / Drawing Title :						
Plan cablaj circuite de cale - Stația BÂRZAVA / BARZAVA Station - Cable sketch for track circuits						
Scara / Scale		Revizia / Revision		Cod desen / Drawing Code		Nr / No
-		1/16.05.2013		PT.02.05.10.SM.025		01/11

Punct de sectionare BATA  
Container CE  
KM 558+375



Cable sketch for track circuits  
Sectioning point end X:  
321;331;322;332

Plan de cablaj al circuitelor de cale  
Punct de sectionare cap X :  
321;331;322;332



Cable sketch for track circuits  
Sectioning point end X:  
353;356;357

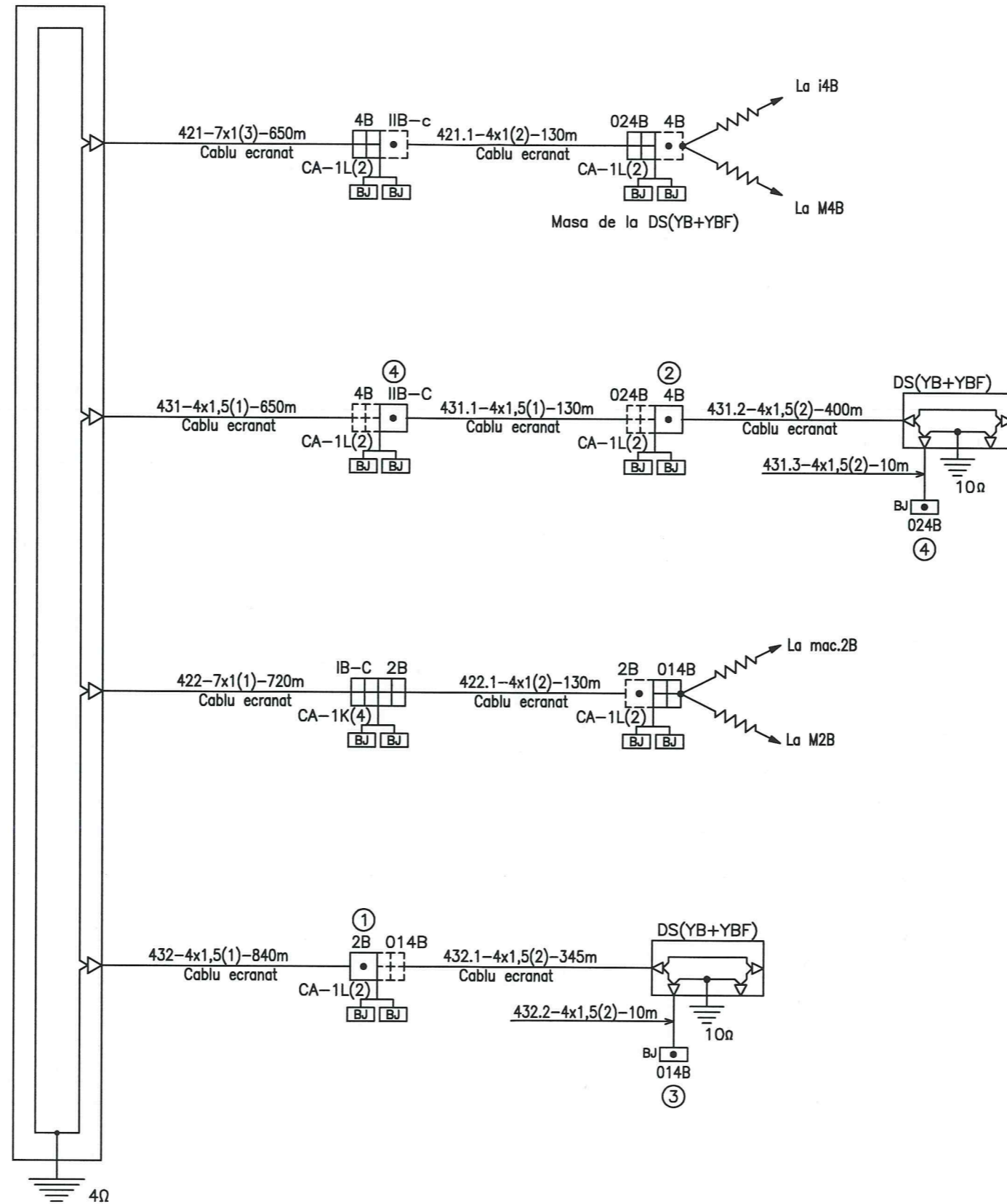
Plan de cablaj al circuitelor de cale  
Punct de sectionare cap X :  
353;356;357

BARZAVA station  
Statia BARZAVA

PT.02.05.10.SM.025-03



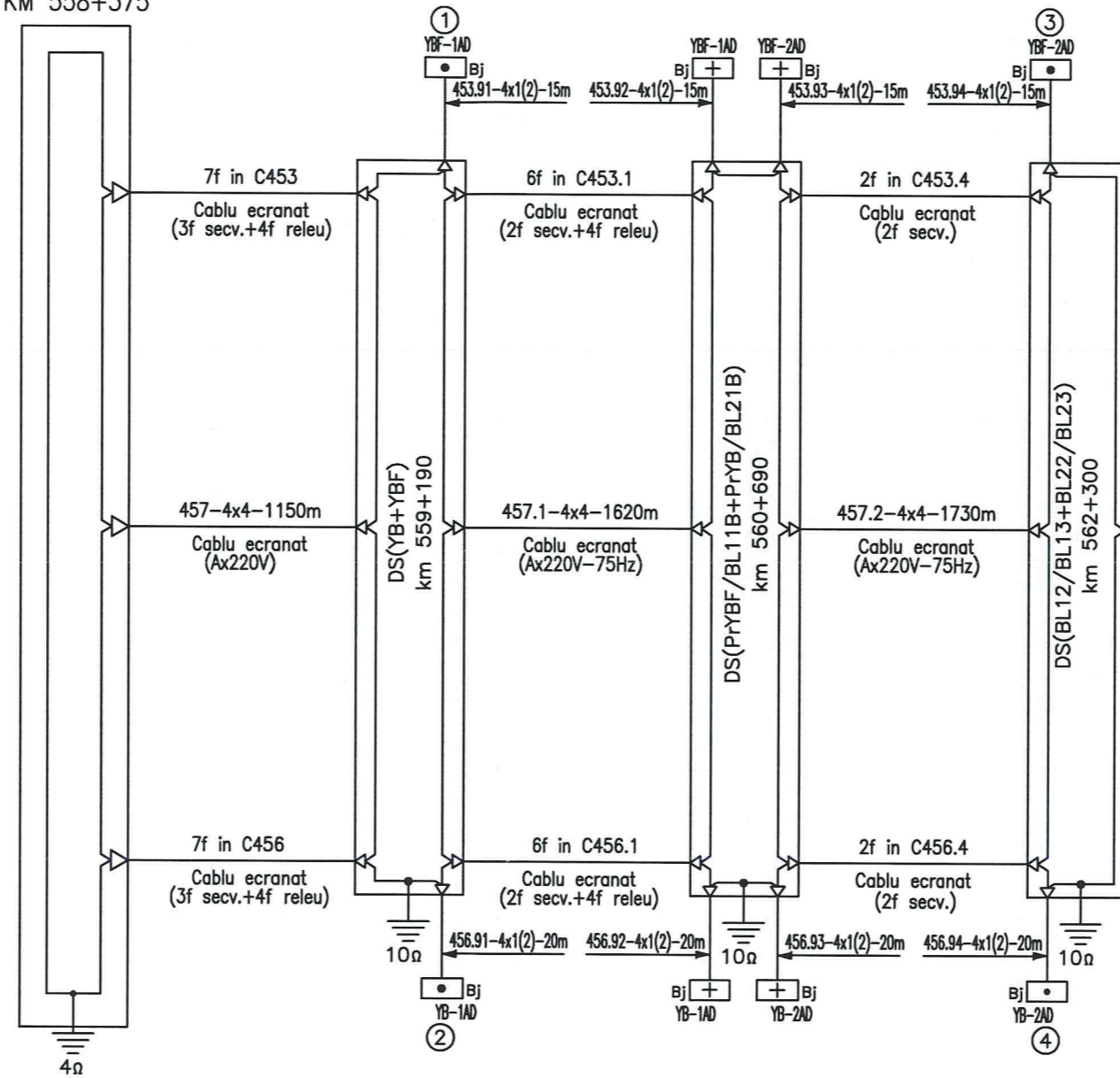
Punct de sectionare BATA  
 Container CE  
 KM 558+375



Cable sketch for track circuits  
 Sectioning point end Y:  
 421;431;422;432

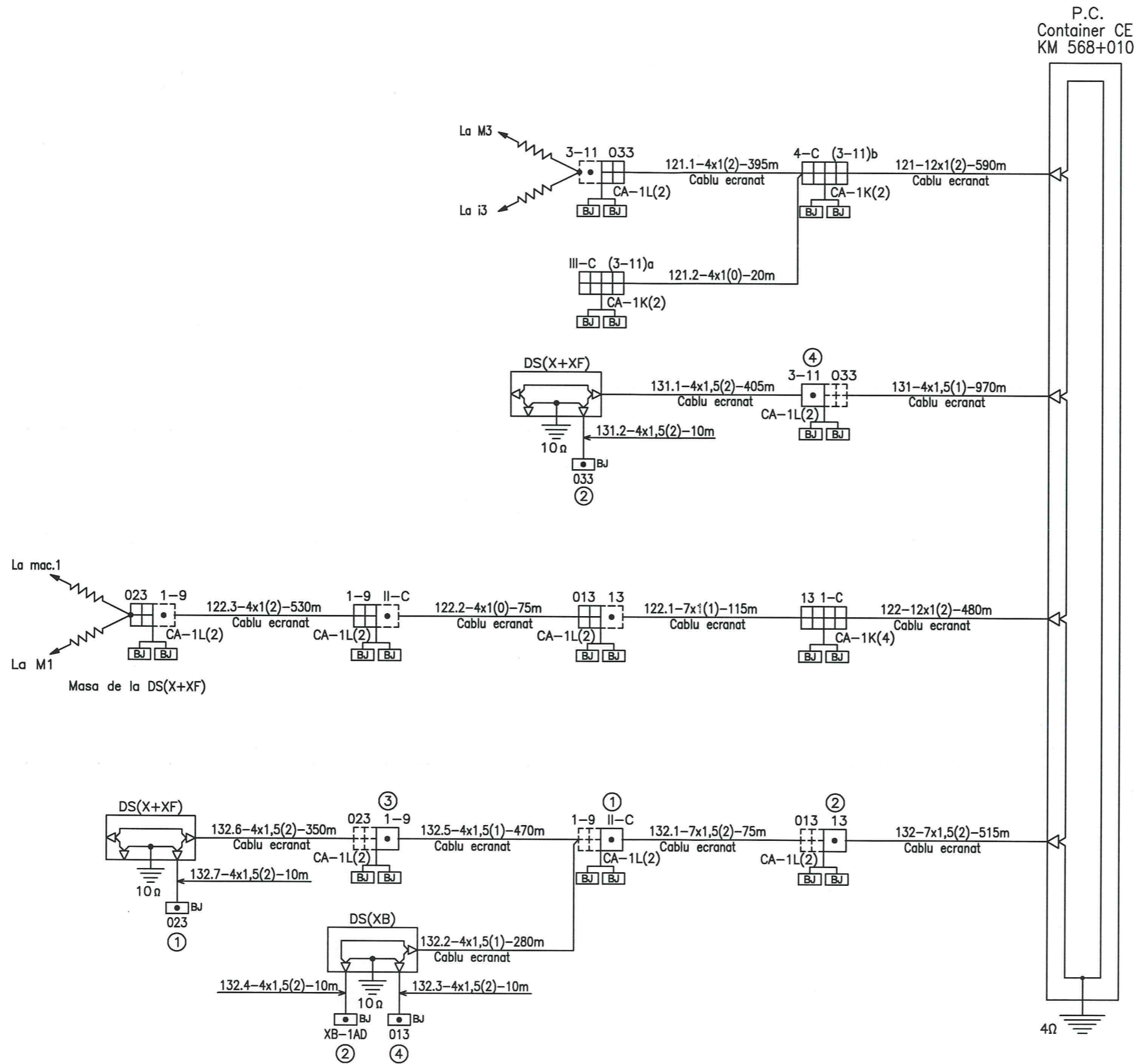
Plan de cablaj al circuitelor de cale  
 Punct de sectionare cap Y :  
 421;431;422;432

Punct de sectionare BATA  
 Container CE  
 KM 558+375



Cable sketch for track circuits  
 Sectioning point end Y:  
 453;456;457

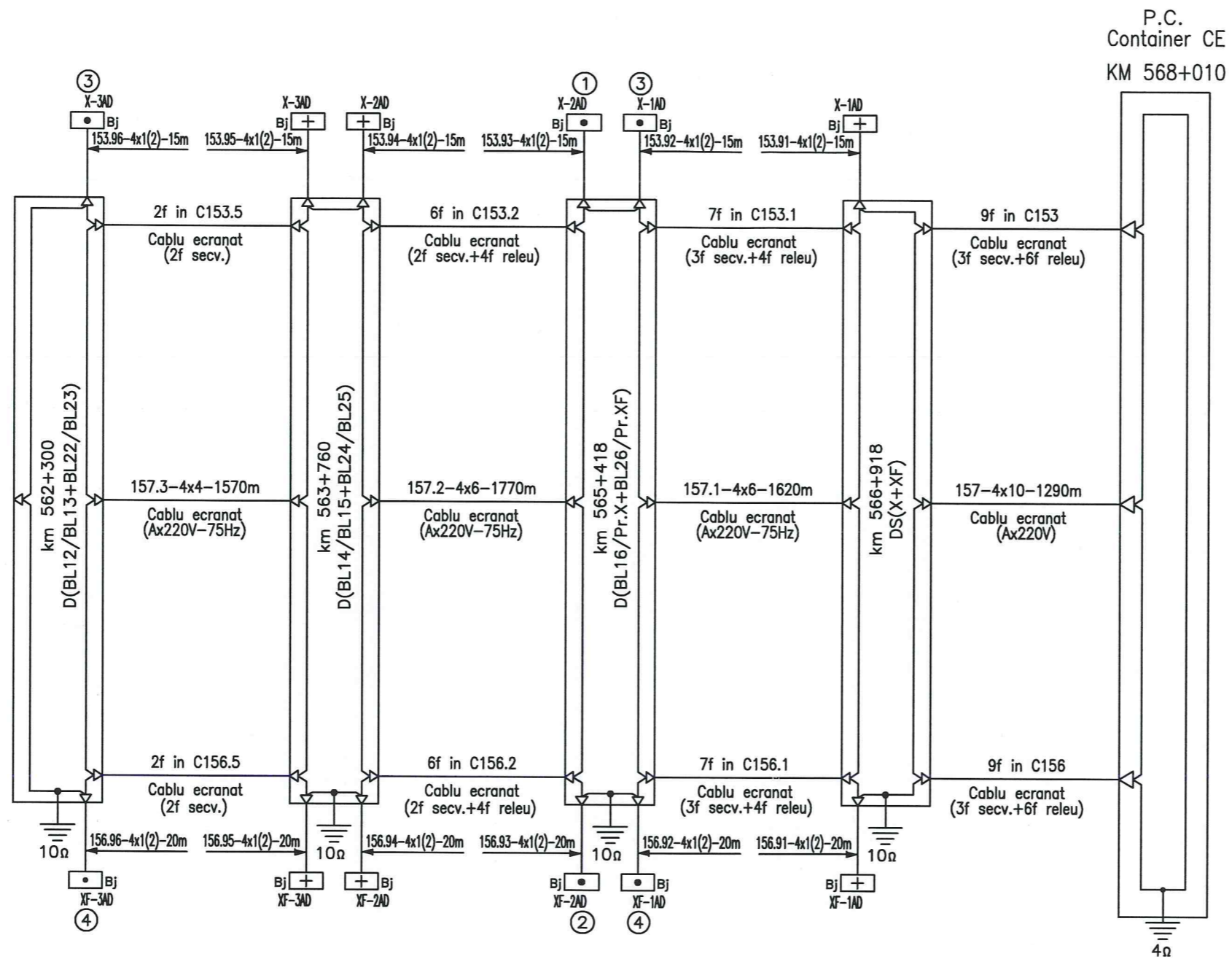
Plan de cablaj al circuitelor de cale  
 Punct de sectionare cap Y :  
 453;456;457



P.C.  
Container CE  
KM 568+010

Cable sketch for track circuits  
end X track 1 and 2:  
121;131;122;132

Plan de cablaj al circuitelor de  
cale capX firul 1 si 2:  
121;131;122;132

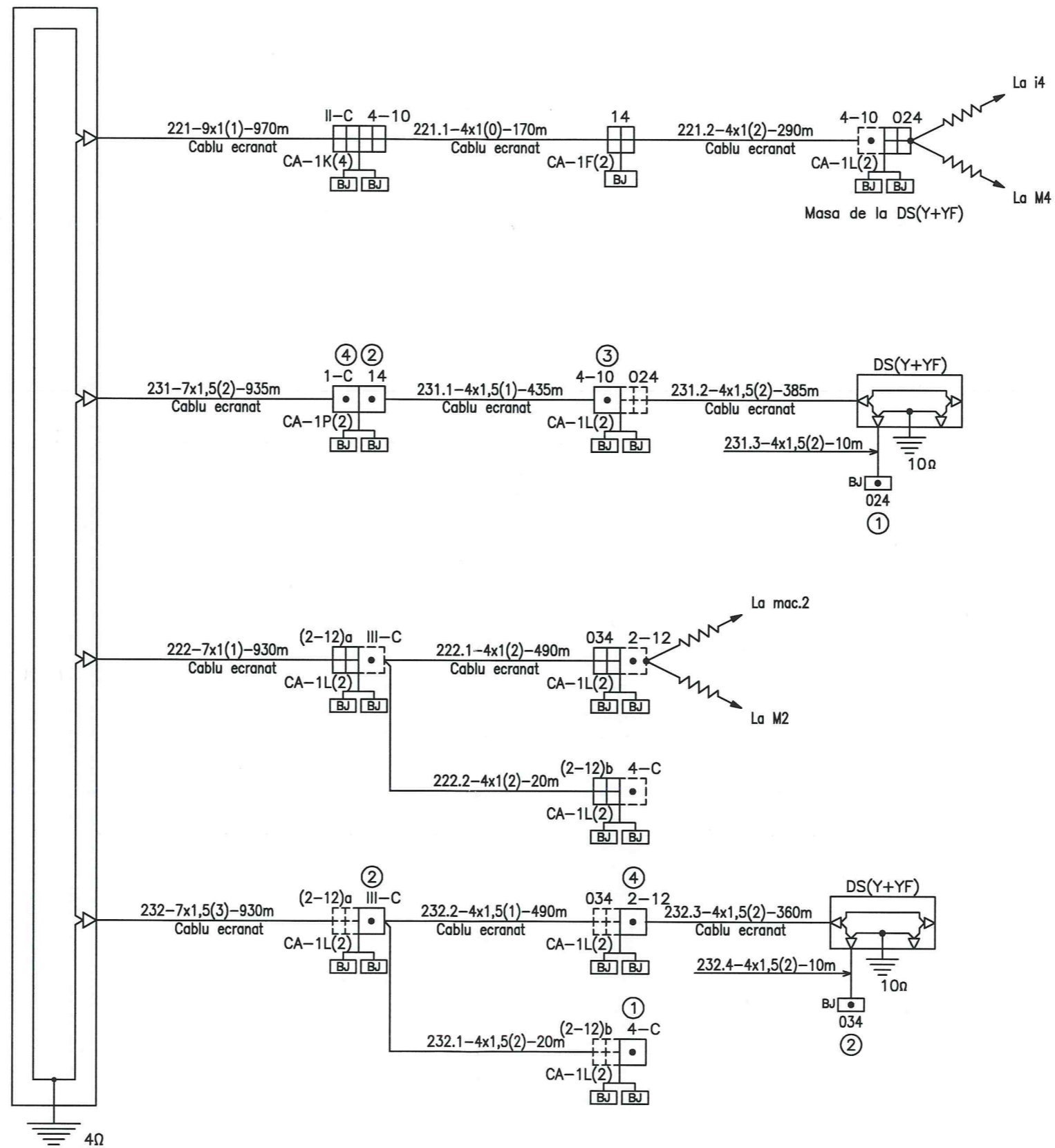


Cable sketch for track circuits  
end X track 1,2:  
153;156;157

Plan de cablaj al circuitelor  
de cale cap X firul 1,2:  
153;156;157



P.C.  
Container CE  
KM 568+010

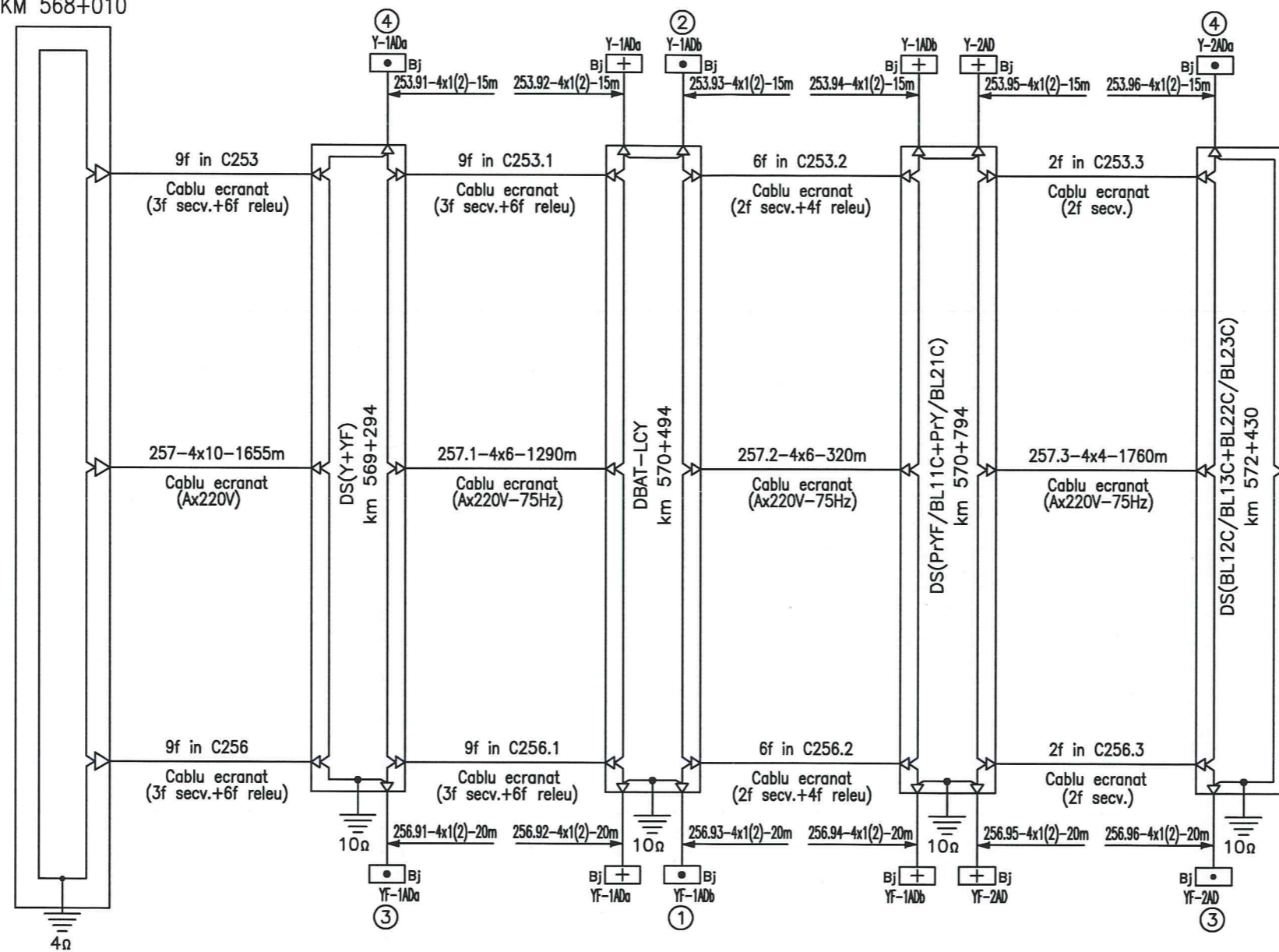


Cable sketch for track circuits  
end Y track 1 and 2:  
221;231;222;232

Plan de cablaj al circuitelor de  
cale cap Y firul 1 si 2:  
221;231;222;232

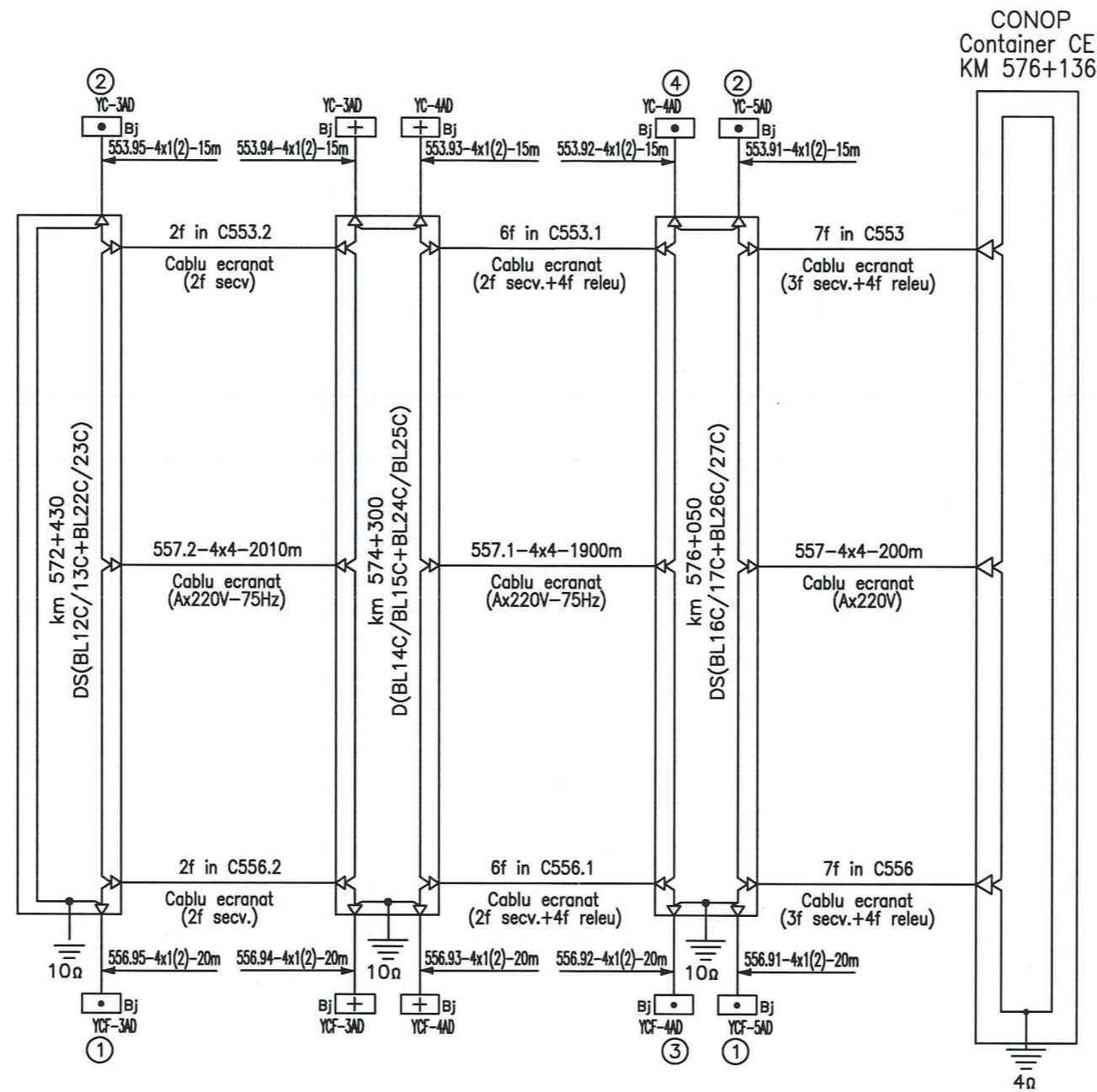


P.C.  
Container CE  
KM 568+010



Cable sketch for track circuits  
end Y track 1,2:  
253;256;257

Plan de cablaj al circuitelor  
de cale cap Y firul 1,2:  
253;256;257



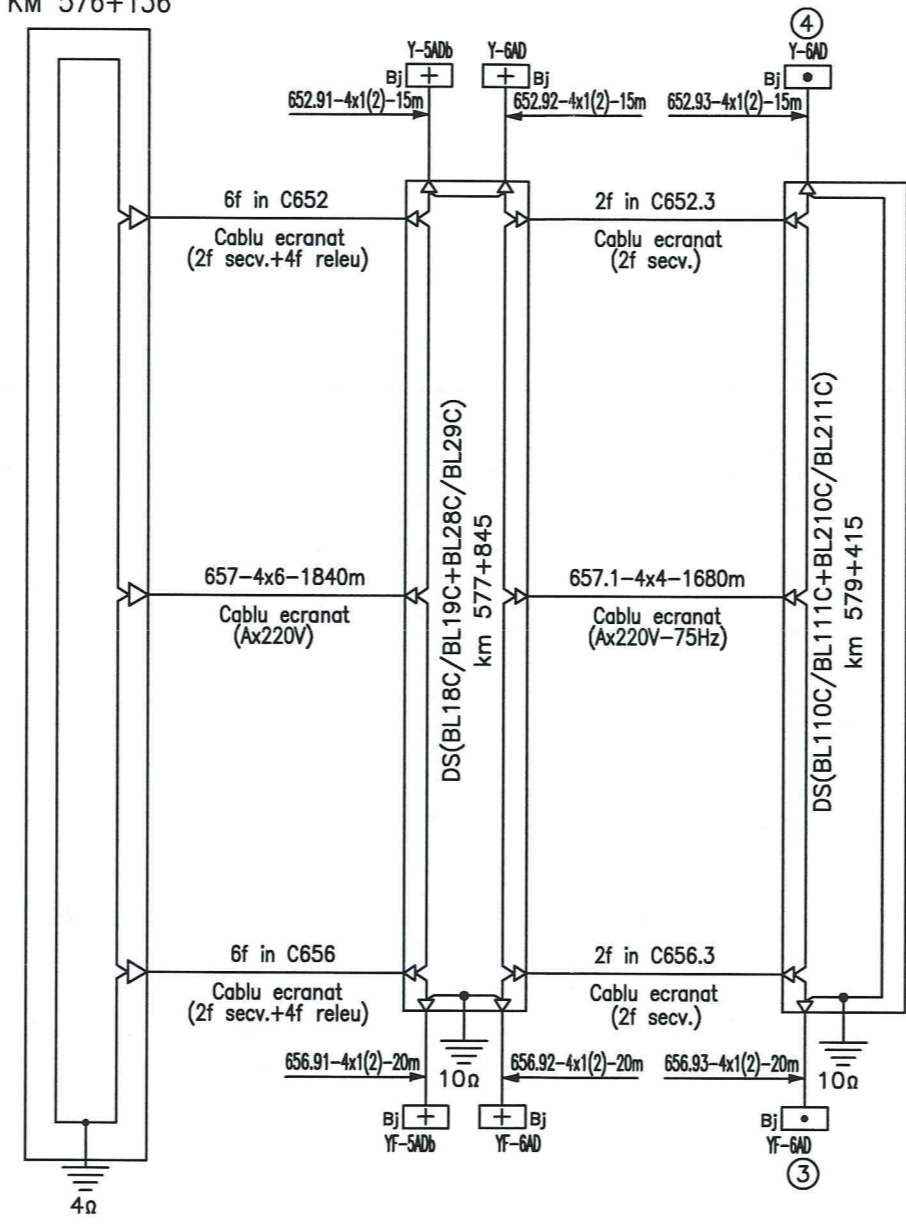
Cable sketch for track circuits  
 Sectioning point end X:  
 553;556;557

Plan de cablaj al circuitelor de cale  
 Punct de sectionare cap X :  
 553;556;557

BARZAVA station  
 Statia BARZAVA

PT.02.05.10.SM.025-10

CONOP  
Container CE  
KM 576+136



Cable sketch for track circuits  
Sectioning point end Y:  
652;656;657

Plan de cablaj al circuitelor de cale  
Punct de sectionare cap Y :  
652;656;657

BARZAVA station  
Statia BARZAVA

PT.02.05.10.SM.025-11